

AUDI, SEAT, SKODA, VW

Emulator immo VW without CAN – systems W1, W2 to about 2001 (Engine Control Module EDC15 and LT28, LT35 with 5 plugs - if they don't have inscribed chassis number - even up to 2006). It also works in Ford gasoline and diesel with VW systems (with logo VW on ECM).

Emulator immo VW without CAN replaces damaged immobilizer or the car key.

This device is self-learning a computer code.

In case of losing the car keys or a car burglary, it enable to drive off from the road to the car service.

Due to a low cost you can leave it in the car instead of buying a new immo or making car keys duplicate.

There is a possibility of using it as the additional security!!!

Two LEDs indicating:

green - power

red – transmission (will blink and turn off).



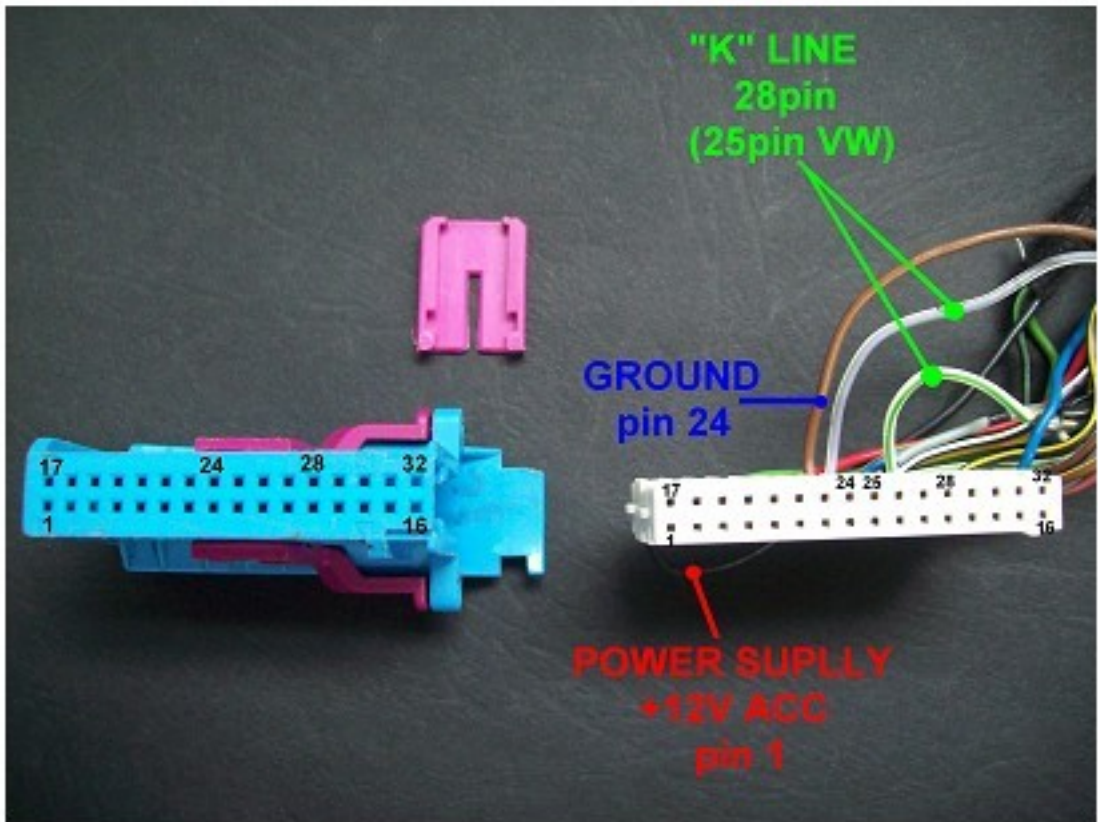
**Connecting in place of the original immobilizer
or instrument cluster:**

GND	blue
ACC	red
line W	green

**Colors of the cables may be different,
please check the markings on the emulator.**

**If there are problems with starting, emulator
need to be solder inside to ECM!!!**

**Disconnect immo from the plug and connect
W line with K line to have a diagnosis.**

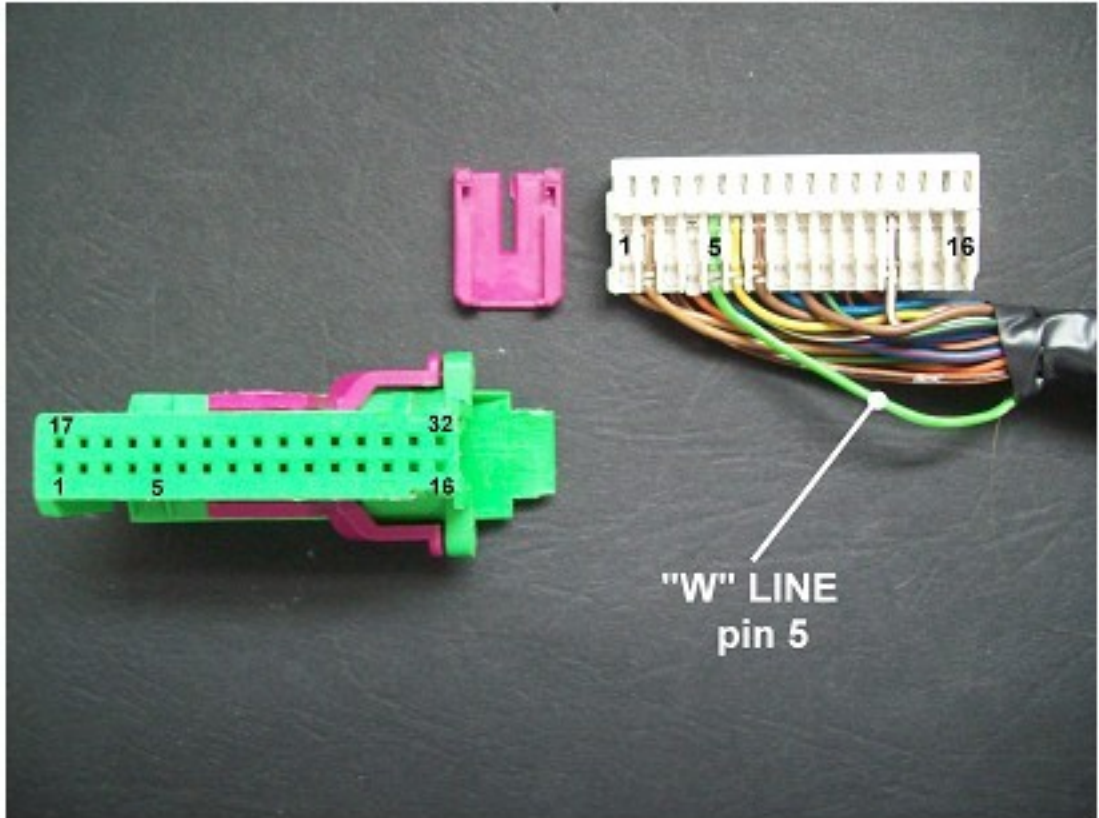


**Cars with immobilizer in instrument cluster –
the cars as of 1998 year :**

GND - pin 24 blue plug

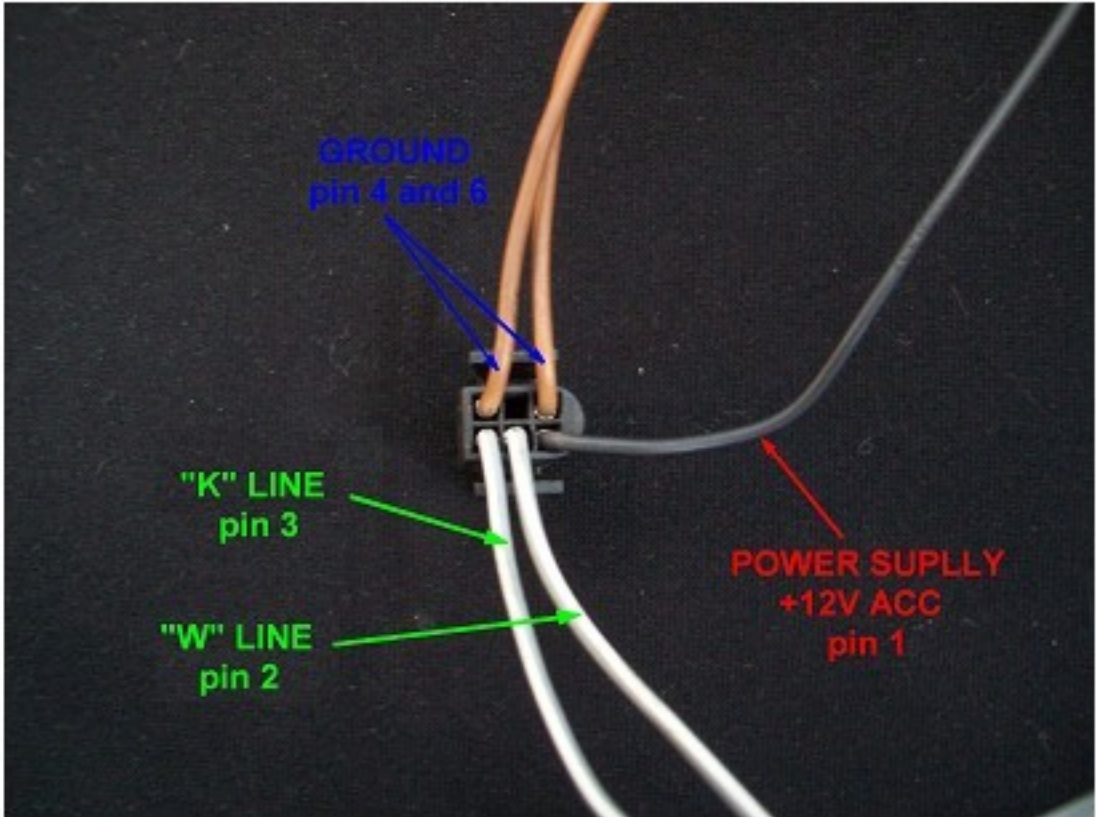
ACC - pin 1 blue plug

**K line - in blue plug: pin 25 VW and pin 28
Audi.**



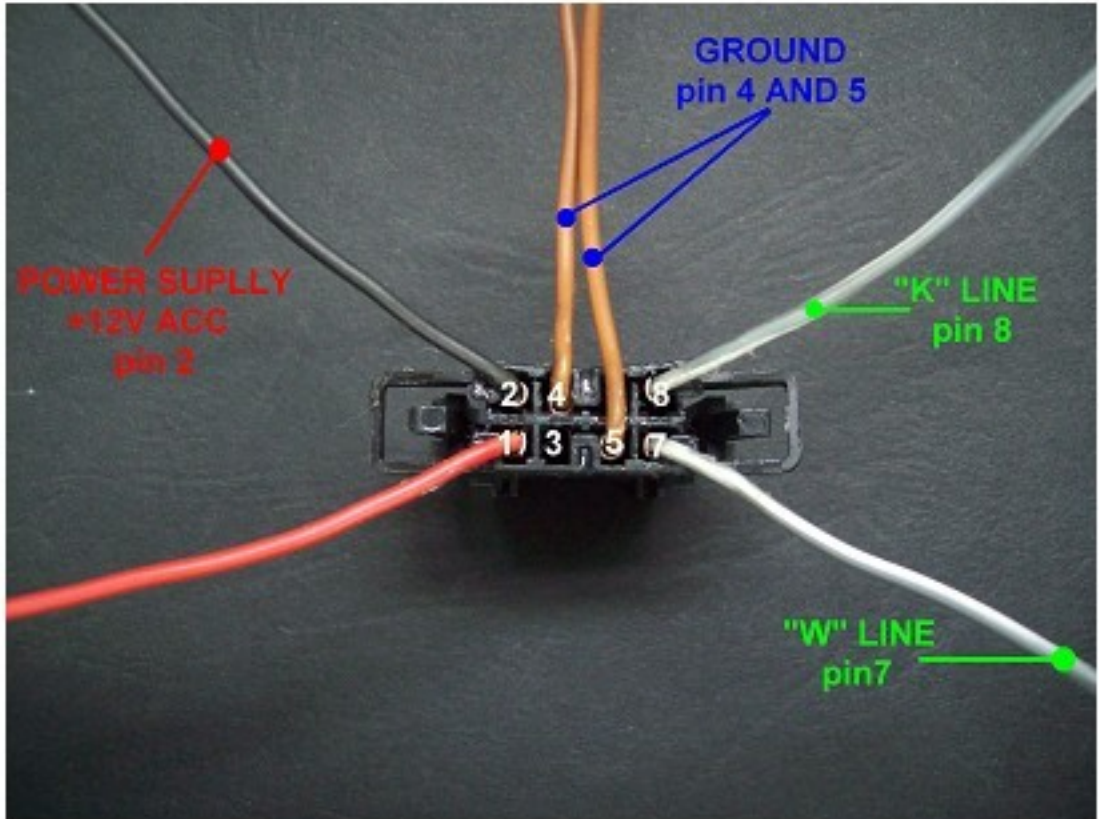
W line - pin 5 in green plug

K line and W line must be cut off from the instrument cluster!!!



In the cars with separate immobilizer
a) immobilizer plug with 6 pins:

GND	pin 4 and 6
ACC	pin 1
K line	pin 3
W line	pin 2



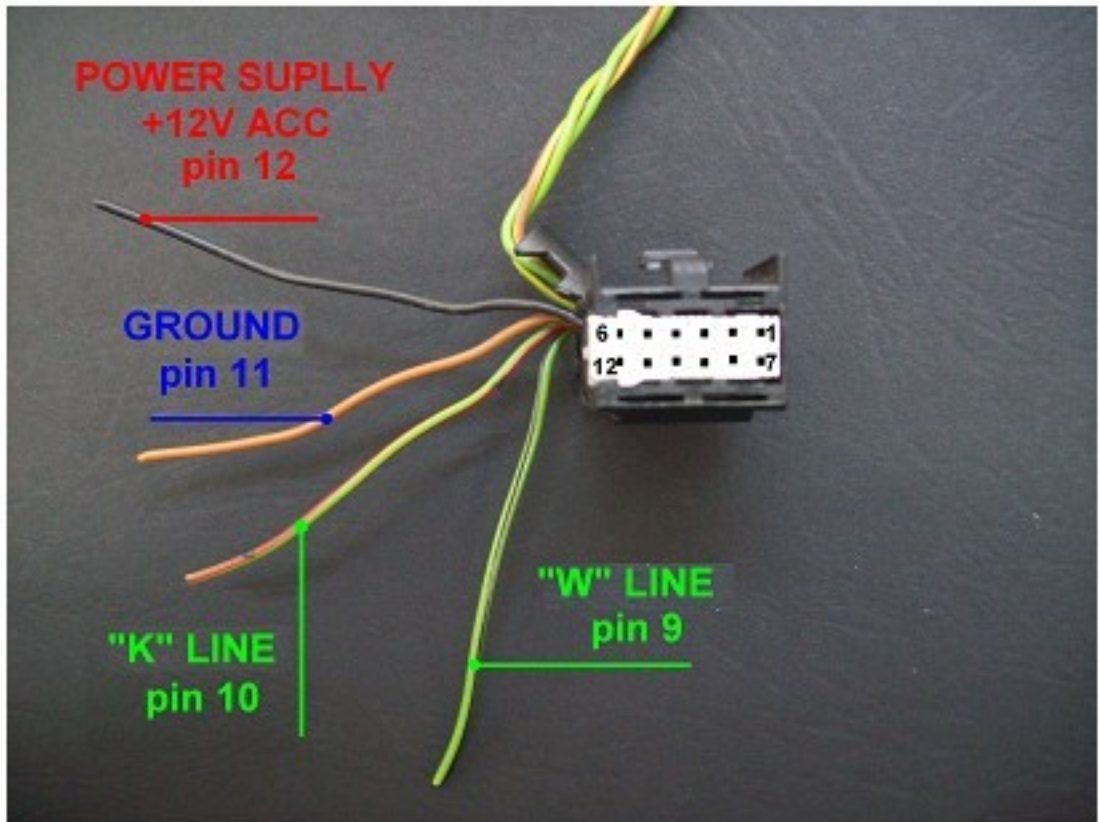
b) immobilizer plug with 8 pins:

GND - pin 5 and 4

ACC - pin 2

K line - pin 8

W line - pin 7



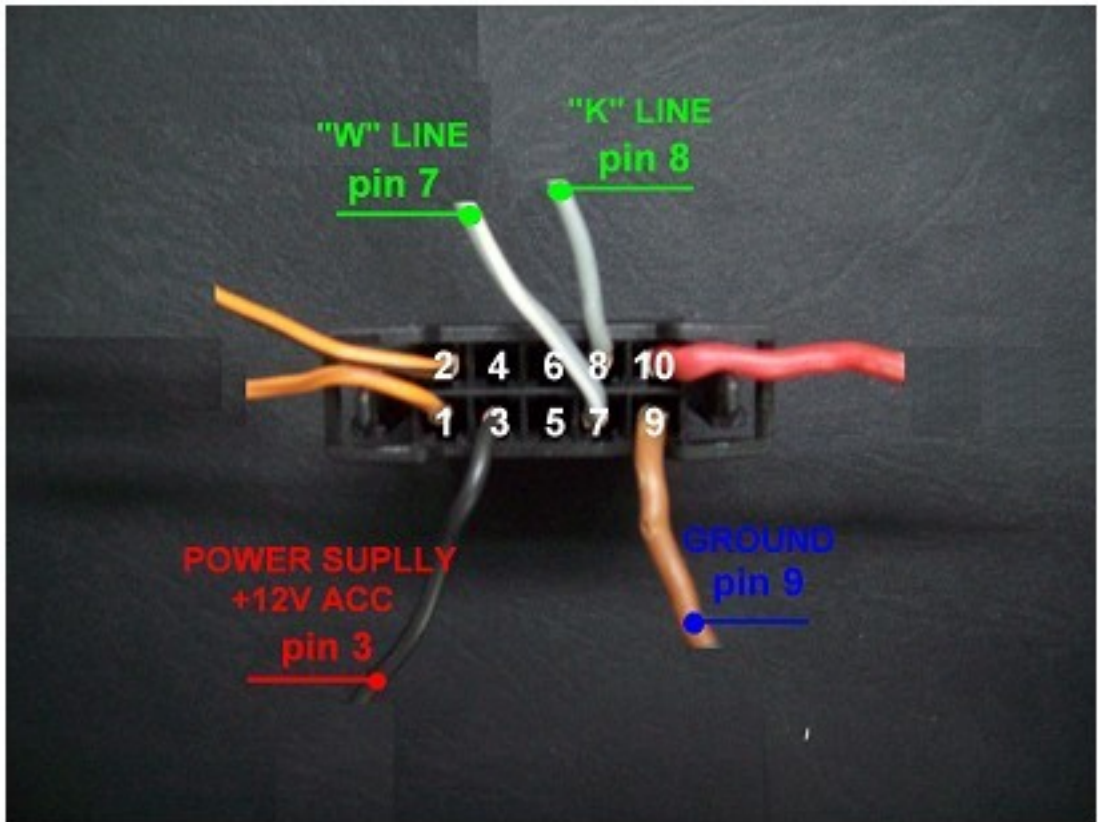
c) immobilizer plug with 12 pins:

GND - pin 11

ACC - pin 12

K line - pin 10

W line - pin 9

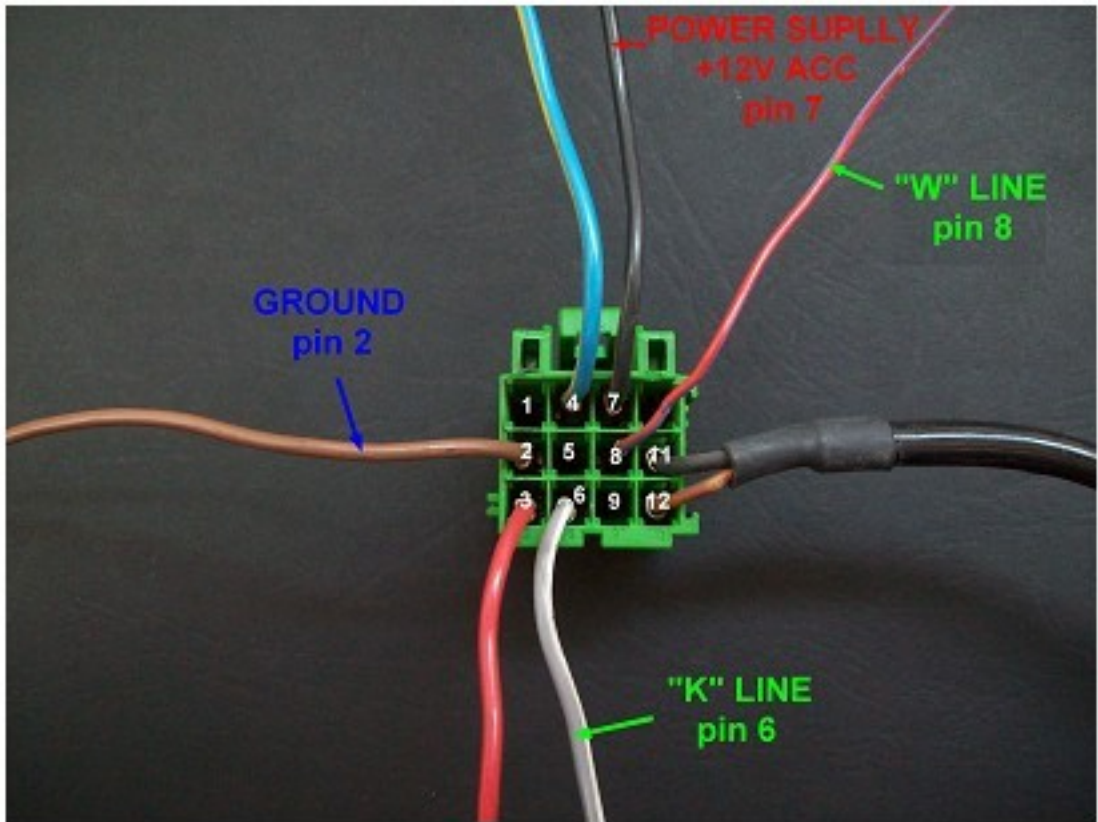


d) immobilizer plug with 10 pins (e.g. some VW T4 without CAN):

- GND - pin 9
- ACC - pin 3
- K line - pin 8
- W line - pin 7

Connect together pin 7 and 8 in plug of original immobilizer and connect emulator to OBD:

- GND - pin 4
- ACC - pin 16



e) immobilizer plug with 12 pins (e.g. LT35) –
ECM for 2 and 5 plugs up to about 2006 year

GND - pin 2

ACC - pin 7

K line - pin 6

W line - pin 8

**Or connect the emulator to original
immobilizer as pictured.**