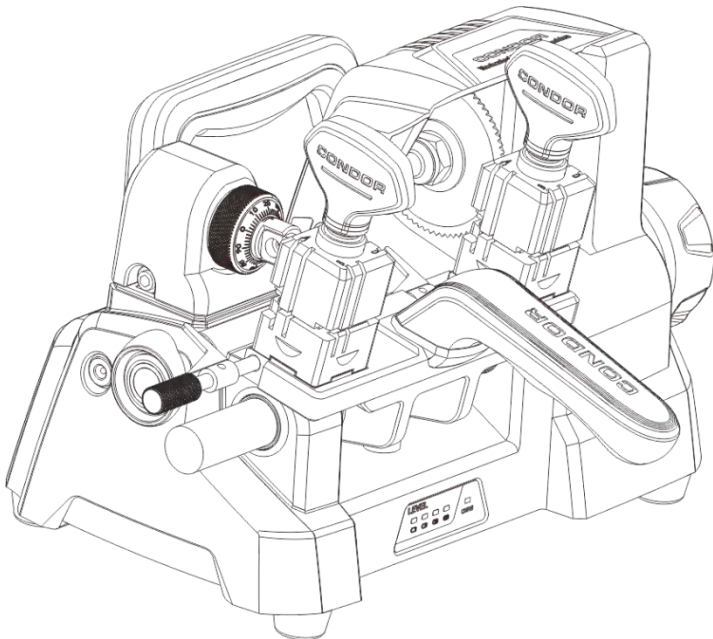


CONDOR

Mechanical Key Cutting Machine

XC-009

User Manual





XC-009

Mechanical Key Cutting Machine

CONTENTS

1 Safety Precautions.....	5
2 General Information.....	6
2.1 Machine Description.....	6
2.2 Characteristics.....	6
3 Product Packaging Checklist.....	7
4 Overview.....	10
4.1 Schematic.....	10
4.2 Specifications.....	11
4.3 Main Parts and Function Declaration.....	13
4.3.1 Hand Wheel.....	13
4.3.2 Skid Platform.....	14
4.3.3 Micro-adjust slide.....	15
4.3.4 Clamp.....	16
4.3.5 Power Parts.....	17
5 Equipment Installing and Debugging.....	18
5.1 Handle Installing.....	18
5.2 Cutter Installing.....	19
5.3 Micro-adjust Slide Calibration.....	20
5.3.1 Lateral Micro-adjust Slide Calibration.....	21
5.3.2 Longitudinal Micro-adjust Slide Calibration.....	22

5.4 Clamp Installing.....	23
6 Use of Equipment.....	24
6.1 Key Alignment.....	24
6.1.1 Head spacing.....	24
6.1.2 Shoulder spacing.....	25
6.2 Clamp cutting surface selection.....	26
6.3Use of needle.....	27
7 Maintenance.....	28
8 Quality assurance and after-sales instructions.....	28
9 Appendix.....	30

1 Safety Precautions

To prevent personal injury or machine damage, users should carefully observe the instructions provided by this operation manual and adopt the following safety precautions:

- Use the machine under the safe condition
- Place the machine on a horizontal surface, which should be firm enough to carry the weight of the machine.
- Do not exposure machine in scorching sun or place the machine in any wet, oily, dusty area.
- Keep the machine clean and dry and keep a distance of 30cm from the wall for ventilation.
- Wear safety glass that meets ANSI standards.
- When the machine is working, keep clothing, hair, etc. away from all moving parts.
- Do not leave the machine while it is operating.
- Do not place anything on the machine while it is operating.
- Power plug with ground wire must be connected when charging. Do not use power plug that is out of power and loose.
- Turn off the switch when the machine is not in use or in service.
- Shut down the machine immediately when any exception occurs. The switch on the left side of the machine.
- Keep the machine out of reach of children.

2 General Information

2.1 Machine Description

Thank you for choosing CONDOR XC-009 Mechanical Key Cutting machine.

CONDOR XC-009 Mechanical Key Cutting machine is a portable special device specially designed for global locksmiths. It is small in volume, light in weight and easy to carry. It can quickly and accurately copy and process variety of automobile and resident mechanical key types.

Please read it carefully before use. It is crucially important if you wish to operate the machine safely and efficiently.

2.2 Characteristics











CONDOR XC-009 is a new generation of mechanical Key Cutting machine with the following characteristics:

- Beautifully designed, full of modernity and technology.
- Integrated Casting, Aluminum structure, Durable.
- Small volume, Light weight, Easy to carry
- Ergonomics designed, More comfortable, simple and convenient.
- Micro-adjusted guide for high-precision cutting requirements.
- Built-in lithium battery, Super long endurance ability




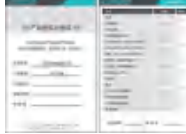

3 Product Packaging Checklist

Name	Image	Quantity	Description
Main Body		1	Key Machine body
Handle		1	Control handle, accessory processing
M6 screw		2	Fixed handle
Tools		1	Tools placed
Key spacer		2	stopper
2.5mm Allen wrench		1	Tool for removing
3mm Allen wrench		1	Tool for removing
4mm Allen wrench		1	Tool for trimming slide

Mechanical Key Cutting Machine CONDOR XC-009

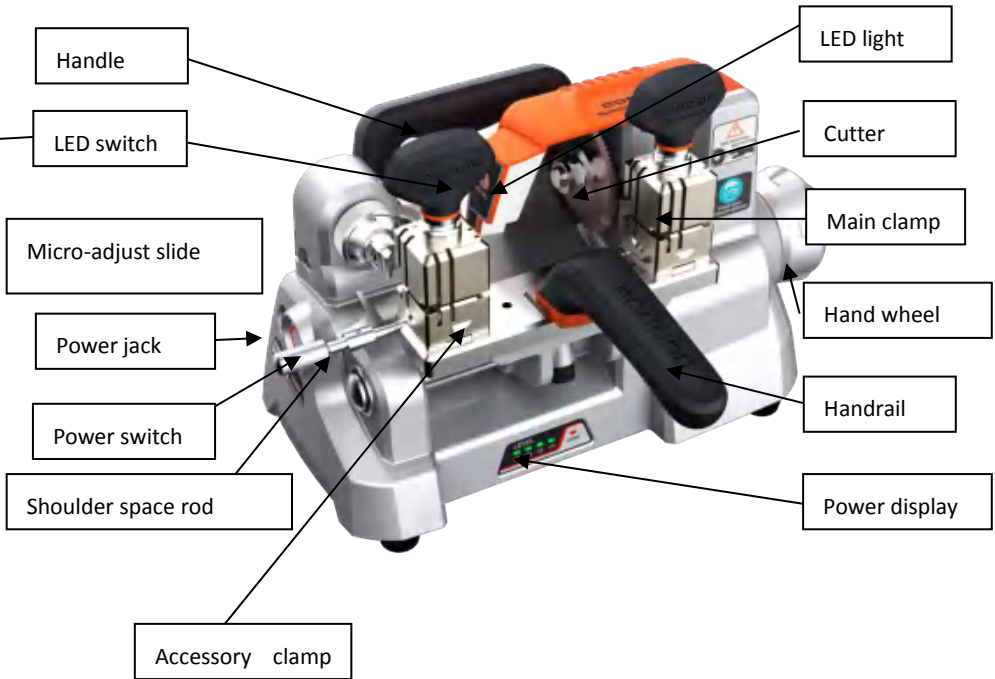
5mm Allen wrench		1	Tool for trimming slide
Tool change rod		1	Change the cutter
19mm open spanner		1	Change the cutter
file		1	Tool for polish
Φ 1.2mm nozzle cleaner		2	Tool for putting the key
Φ 1.7mm nozzle cleaner		2	Tool for putting the key
Power Adapter		1	Charger Device
Battery (Optional)		1	Power Device
Power cord (1.5m) (optional)		1	Connect to power (Chinese Standard)
Power cord (1.5m) (optional)		1	Connect to power (British Standard)

Mechanical Key Cutting Machine CONDOR XC-009

Power cord (1.5m) (optional)		1	Connect to power (European Standard)
Power cord (1.5m) (optional)		1	Connect to power (American Standard)
Brush		1	Tool for cleaning
Quality certificate and Product Packaging Checklist		1	Product delivery inspection certificate and packing statistics
User Manual (Take photo)		1	Key machine installation and operation instructions

4 Overview

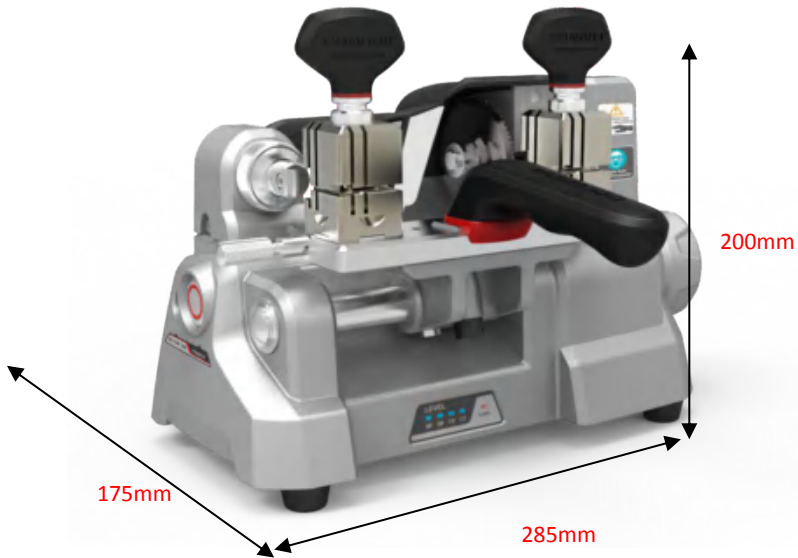
4.1 Schematic



4.2 Specifications

Input Voltage	90-264V AC
Input Frequency	47-63Hz
Consume	110W
Power Parameter	12-18V DC /3A
Battery Capacity	2600mAh/22.2V
Spindle Speed	900rpm
Motor Torque	1.2Nm
Clamp Spacing	95mm
Table Travel	46mm
Working Temperature	0-50°C
Humidity	10-90%
Net Weight	10.8kg
Gross Weight	12.5kg
Machine Dimensions	285mm*175mm*200mm
Packing Dimensions	420mm*310mm*300mm

Mechanical Key Cutting Machine CONDOR XC-009



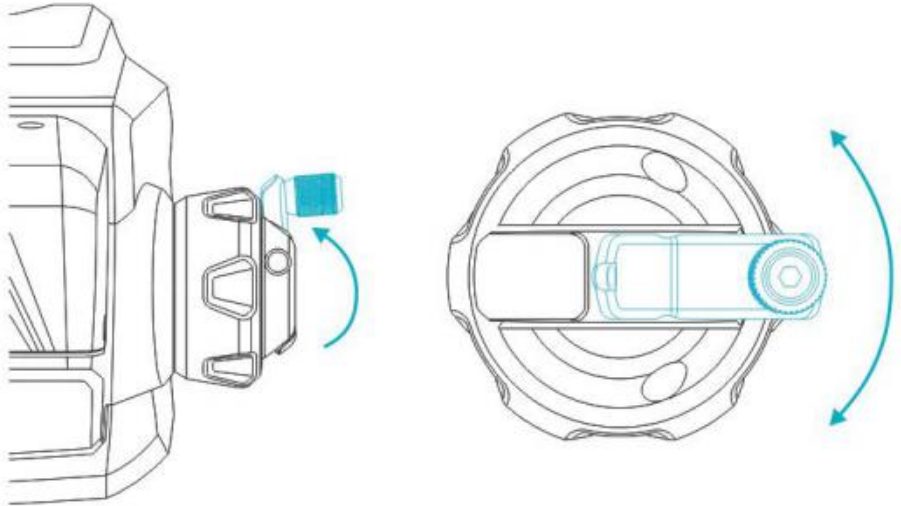
Machine Dimensions



Packing Dimensions

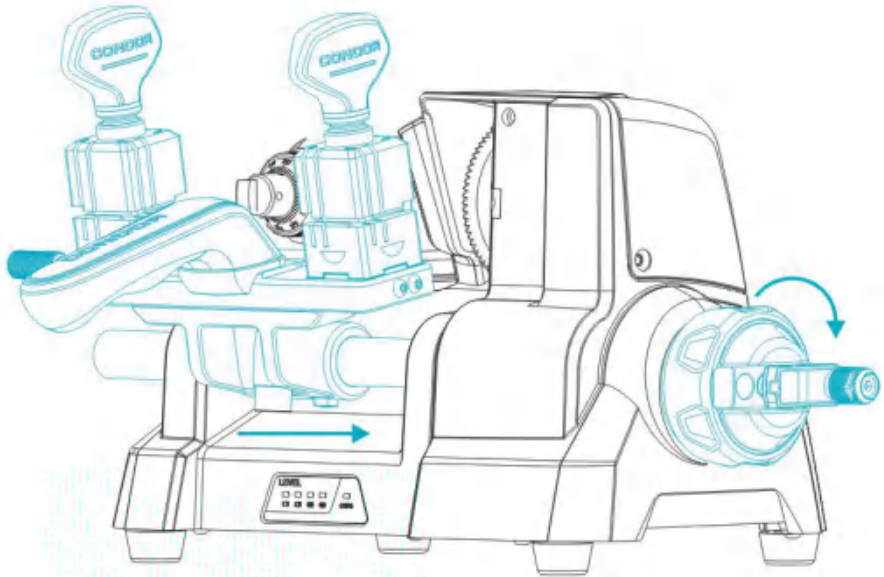
4.3 Main Parts and Function Declaration

4.3.1 Hand Wheel



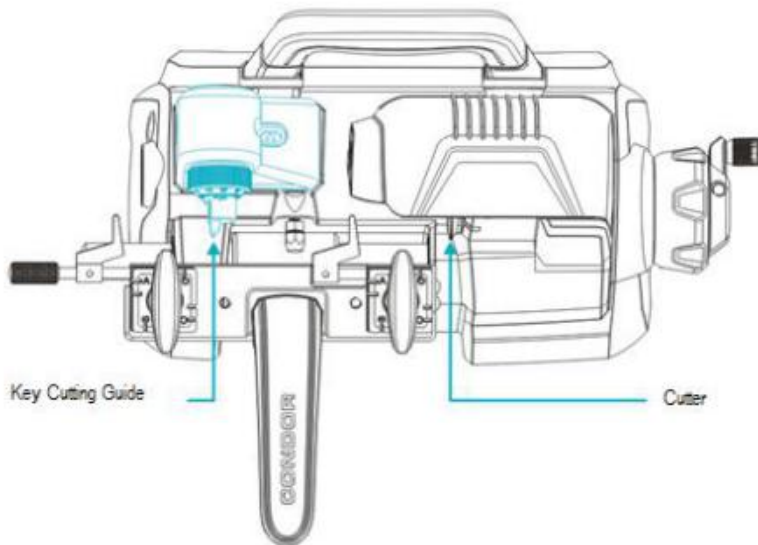
Unscrew the small hand wheel and turn the small hand wheel to achieve cutting feed. By rotating the hand wheel, the clamp slide can be controlled to move left and right, so as to achieve lateral feed during the cutting of the key. The hand wheel adopts a concealed structure, which opens outward when in use and can be hidden after use.

4.3.2 Skid Platform



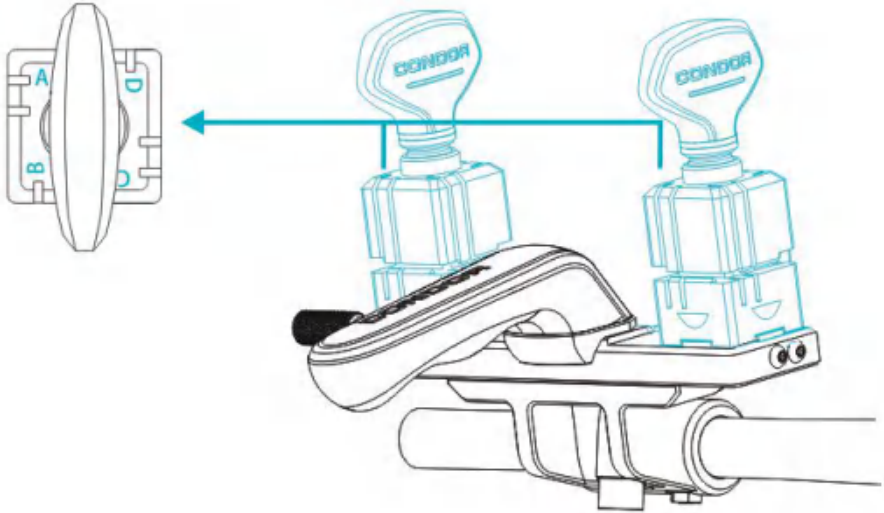
The clamp Skid Platform can be rotated about the axis of rotation and moved axially to achieve lateral and longitudinal feed of the key. Rotating the hand wheel to realize the lateral feed of the Skid Platform, holding the handrail and rotating around the axis to realize the key longitudinal feed, the Skid Platform has a lateral stroke of 46mm and the clamp spacing is 95mm.

4.3.3 Micro-adjust slide



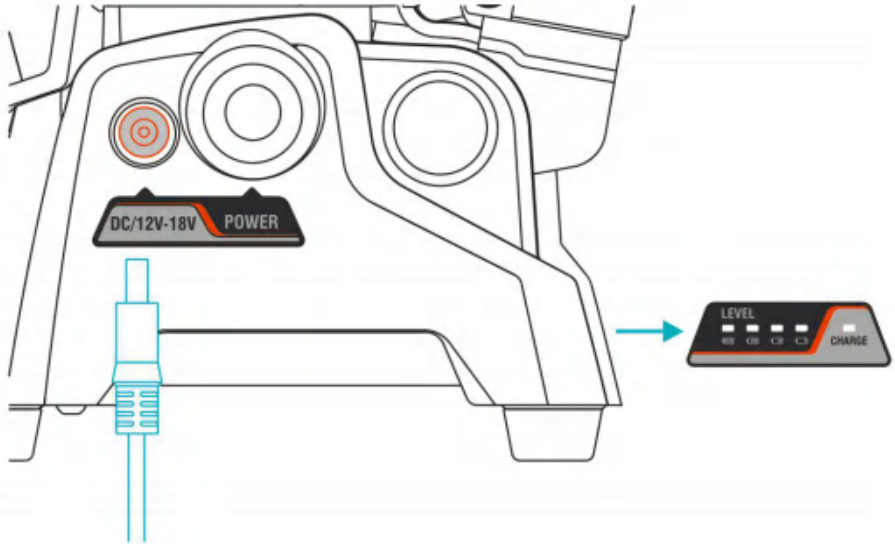
Adjust the Micro-adjust slide to align the cutter with key cutting guide.

4.3.4 Clamp



Allocation and clamp the key, the four-side (A、B、C、D) can be used to copy different key types. The left side is accessory clamp, placed original key, the right side is main clamp, placed blank key. Ensure that left and right clamp use the same cutting surface. Select the proper cutting surface according to different types (refer to chapter 6.2 clamp cutting surface selection and chapter 9 appendix). Be sure to clamp the key before cutting.

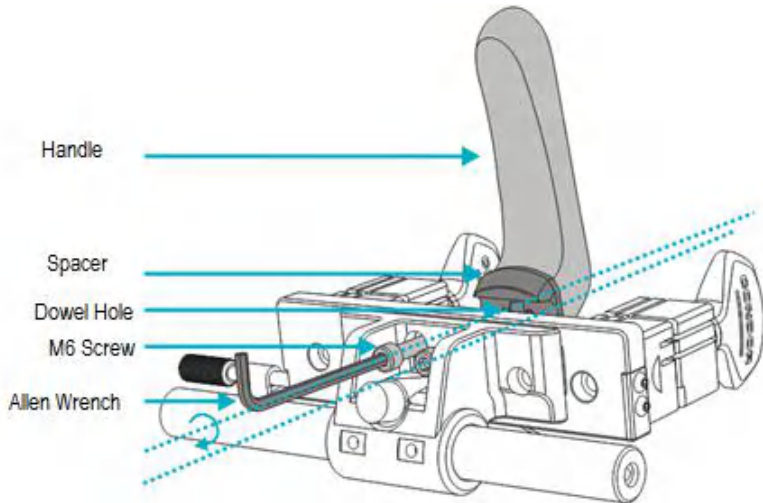
4.3.5 Power Parts



- There is a battery capacity indicator in front of the machine. When the power is low, the indicator is red. Please charge it in time. When power is fully, please unplug the power cord in time. It can be filled about 3-4 hours. After it is full, the machine can be cut the keys 60-100 continuously.
- Please use original power cord and adapter.
- Please use power socket with ground wire.
- Do not cut the key when charging.

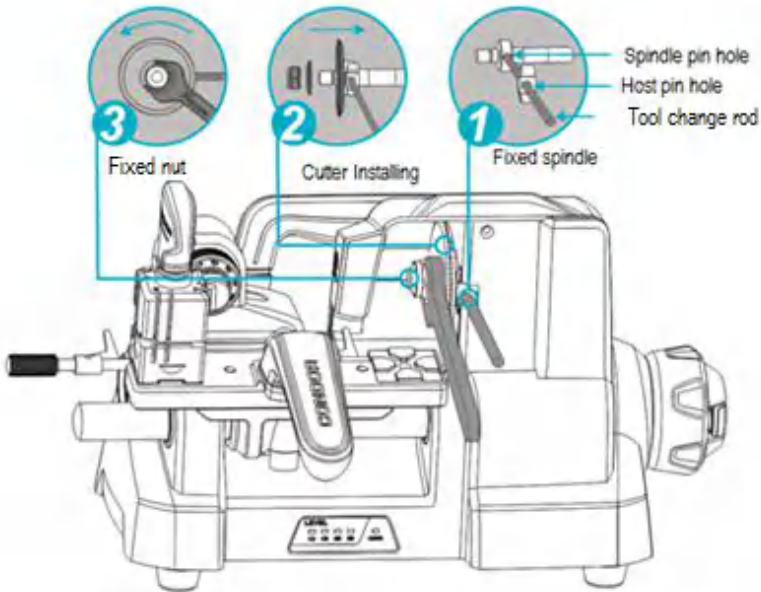
5 Equipment Installing and Debugging

5.1 Handle Installing



In order to save space, the handrail is separately from the whole machine in the package. Please open the box and install the handrail according to above picture.

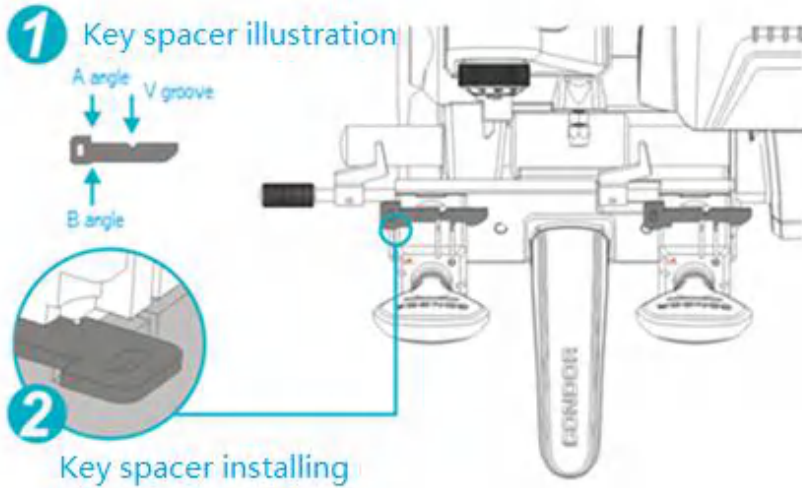
5.2 Cutter Installing



- 1) While the machine is stopped, slowly rotate the spindle, align the spindle pin hole with the host pin hole, and then insert the tool change rod into the end.
- 2) Installing the cutter on the spindle. Pay Attention to the front and back surface of cutter (with the word facing left), install the cutter block and lock nut (anti-nut).
- 3) Use the 19mm open spanner to tighten the lock screw counterclockwise. Then pull out the tool change rod. After installing the cutter, please refer to chapter 5.3 Fine Adjustment Slide Calibration.

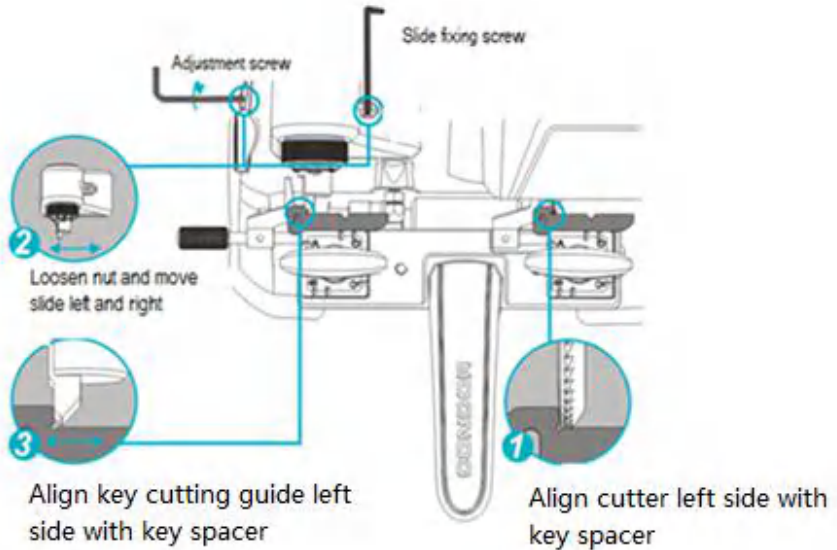
5.3 Micro-adjust Slide Calibration

Micro-adjust slide calibration has been finished at the factory. If deviation or incorrect operations are found, please adjust it as follows.



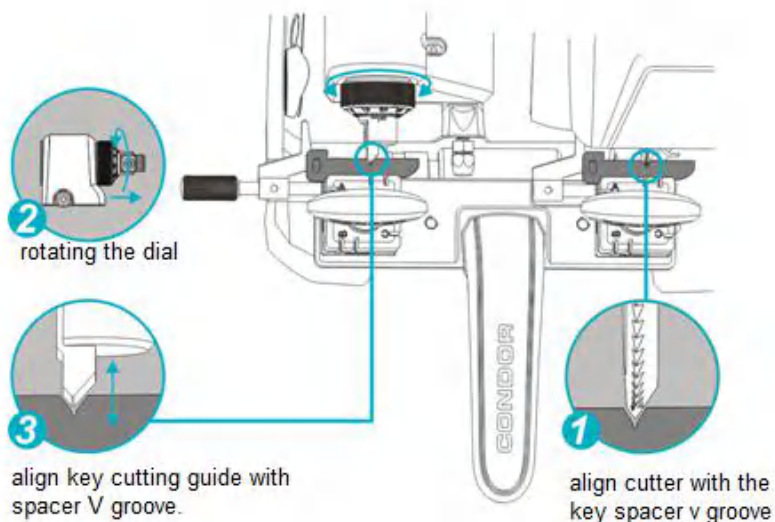
Firstly, both clamps are screw to A side, and clamp the Key spacer on both clamps. Closed the Key spacer to clamp, the clamp is tightened. And adjust the lateral and longitudinal adjustment of the slide separately.

5.3.1 Lateral Micro-adjust Slide Calibration



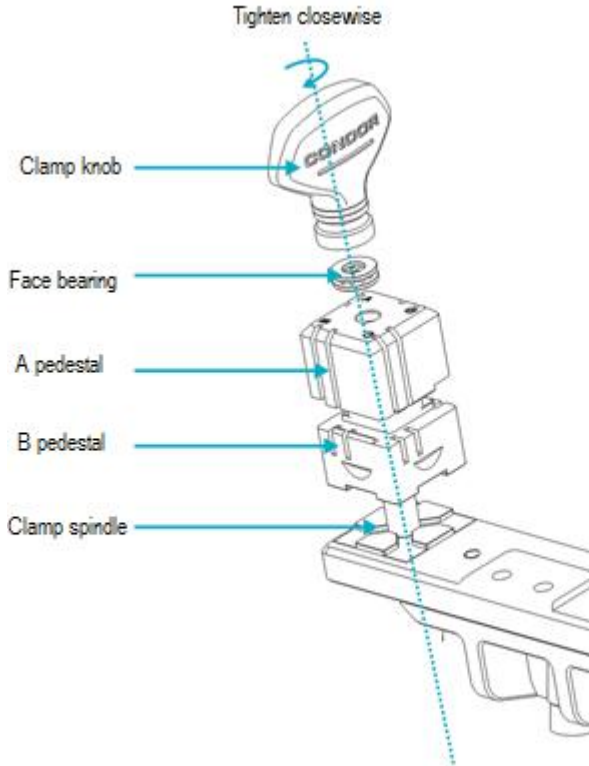
Perform lateral adjustment. After clamping the Key spacer, rotate and slide the clamp slide, the left side of cutter is close to the Key spacer, loosen the slide fixing screw slightly, and slowly adjust the left adjustment screw with an Allen wrench. The left side of the key cutting guide is just close to the Key spacer, and the fixing screw is tightened.

5.3.2 Longitudinal Micro-adjust Slide Calibration



When the longitudinal direction adjusting, slowly rotates the clamp skid platform, align the cutter with the key holder v groove, then rotates the Micro-adjust slide dial, align the key cutting guide with the key holder v groove, rotates the dial 1 small lattice, the key cutting guide moves 0.02mm than before.

5.4 Clamp Installing

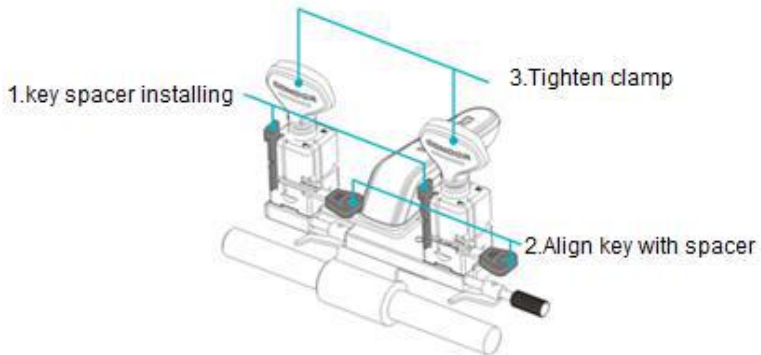


Do not remove the clamp under normal condition. If it is accidentally disassembled, please install according to the above figure. Pay attention to the clamp surface, otherwise it will not work normally.

6 Use of Equipment

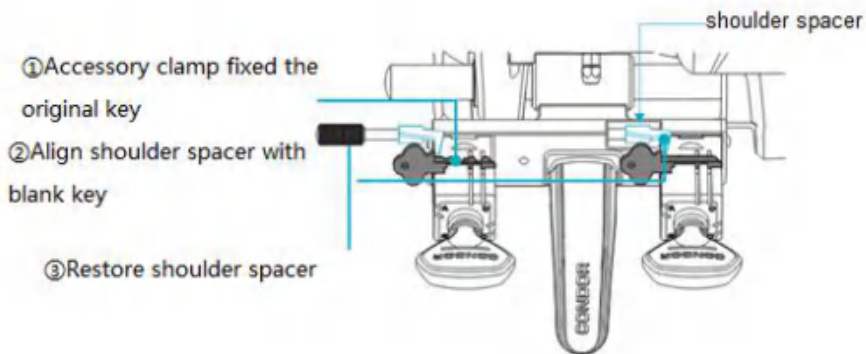
6.1 Key Alignment

6.1.1 Head spacing

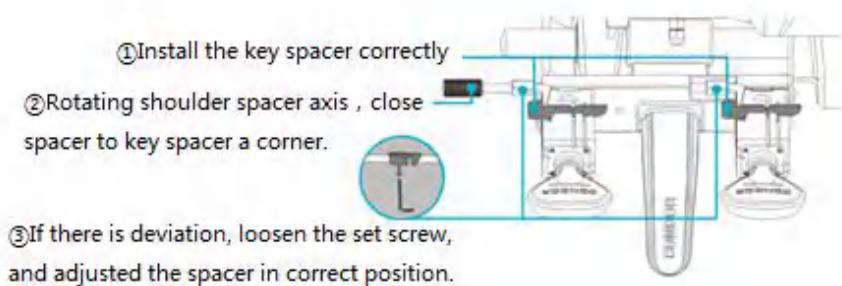


When the key head is spacing, use the alignment block, insert the positioning block into the spacing slot, slowly push the key until it touches the key spacer, the clamp is tightened to remove the key spacer.

6.1.2 Shoulder spacing

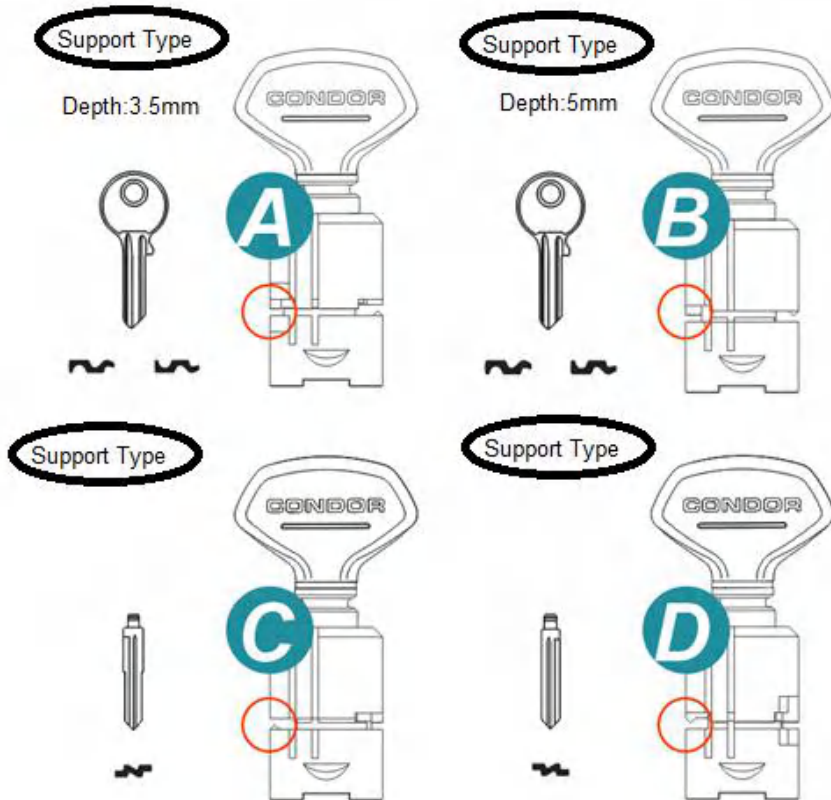


The original key is fixed on the accessory clamp, the shoulder spacer is aligned, then the blank key is aligned to the shoulder spacer, clamped, and finally the shoulder spacer is rotated to the initial state.



If it is found that the distance between the shoulder position and the fixture is inconsistent, it is necessary to calibrate the shoulder spacer. As shown in the following figure, installed the alignment block (refer to chapter 5.3), rotating the shoulder spacing axis, make the left and right shoulder spacer just close to the alignment block A angle, if there is deviation, release the set screw. Slowly move the shoulder spacer, and adjusted the spacer in correct position, then lock the set screw tightly. Remove the key spacer that it can be used normally.

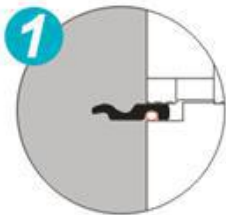
6.2 Clamp cutting surface selection



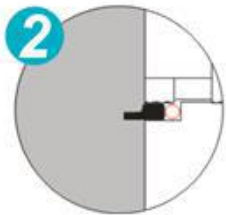
Clamp have A, B, C, D on all sides, different types of keys according to the above image to select the appropriate clamping surface, or reference appendix.

6.3 Use of needle

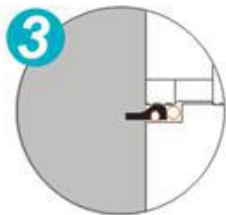
When using A or B surface, the clamping depth too deep, cutting less than the complete, you can use the needle, change the clamping depth to ensure normal processing, as shown in the following figure:



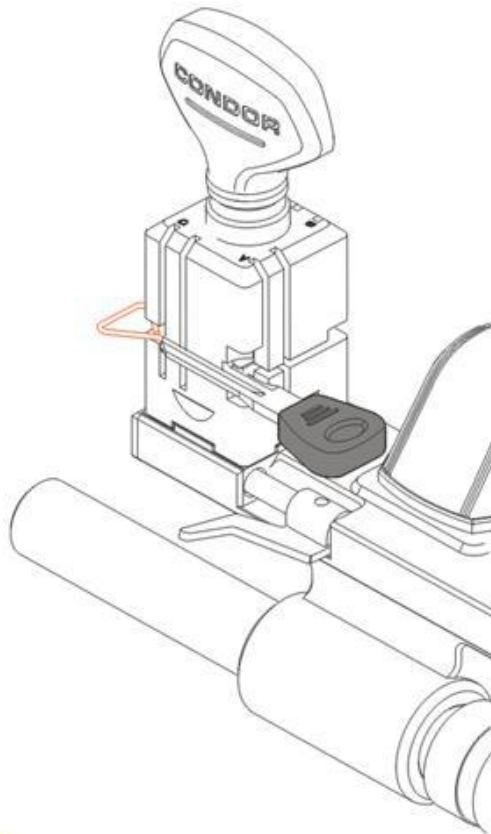
Clamping surface too small



Clamping depth too deep



Clamping surface too small
and Clamping depth too deep



7 Maintenance

- Before cutting the key, please use the brush to clean up the debris of the parts of the processing area to avoid the impurity damage and corrosion the machine parts, affecting the key processing accuracy.
- Do not use any oily products and detergents to clean all parts of the machine to avoid damage or corrosion the machine parts.
- Do not wash machine and parts with water directly, do not wipe the machine with wet cloth, in case of leakage of machine or rust of metal parts
- In order to avoid the debris blown into the machine inside, causing safety problems, please do not use air guns, hair dryers and other cleaning equipment cleaning processing area.

8 Quality assurance and after-sales instructions

CONDOR XC-009 warranty period is one year, subject to the date on the transaction voucher, if no transaction voucher or transaction voucher is lost, the factory record date shall prevail.

The following conditions are not free warranty:

- Failure to use the instructions as required
- Machine damage caused by self repair or modification
- Machine failure due to drop, collision or improper voltage
- Machine damage caused by force majeure
- Used for a long time in harsh environments or on vehicles or ships, causing machine malfunctions or damage.
- The normal use of the machine causing the daily wear.

Mechanical Key Cutting Machine CONDOR XC-009










Product After-sale repair and technical support, please contact the dealer or use WeChat scanning QR code, attention to the official WeChat public accounts of the Xhorse (WeChat: SZ-Xhorse).















Xhorse league

Xhorse reserve all rights to this manual. No person or organization is allowed to copy and disseminate any part of this manual in any form without permission. Due to product improvement, the contents of this manual may be changed without prior notice.

9 Appendix

名称	常见车型	钥匙特征	国内钥匙参考编号	钥匙外形图
BYD56	比亚迪 F3	外铣两轨迹 12 齿 头定	56 号	
BYD66	比亚迪 F0	外铣两轨迹 6 齿 头定	66 号	
BT74	奔腾 B50	外铣两轨迹 8 齿 肩定	74 号	
B107	别克老君越	外铣两轨迹 10 齿 头定	87 号	
CY24	克莱斯勒 300C , 漫步者 切诺基 道奇 jeep	外铣两轨迹8 齿 头定 (7 齿)	4 号	
DW04R	别克凯越 乐风 乐驰 乐骋 赛欧 长安 锐翔 江淮骏铃货车	外铣两轨迹8 齿 肩定	39 号	
DW05	景程 卡帕奇	外铣两轨迹8 齿 肩定	40 号	
F038R	福特水星 锐界 F150 翼虎 林肯 野马	外铣两轨迹8 齿 头定	19 号	
GM37	老 GL18 老君威 陆尊 林荫大道	外铣两轨迹10 齿 头定	26 /101 号	
GT15	南京菲亚特 派力奥 周末风 老法拉利	外铣两轨迹9 齿 肩定	60 号	

Mechanical Key Cutting Machine CONDOR XC-009

HU49	捷达 桑塔纳 高尔 夫 老奥迪 100 红旗 B4 246 桑塔纳 256 捷达	外铣两轨迹7 齿 肩定	1 号	
HU46	欧宝 安德拉	外铣两轨迹10 齿 肩定		
HU87R	铃木雨燕 新奥拓 天语 吉姆尼 维特 拉	外铣两轨迹10 齿 肩定	10 号	
HYN11	06-09 起亚千里马 左、伊兰特 途胜 赛 拉图 新瑞风	外铣两轨迹8 齿 肩定	28 号	
HYN7R	现代索纳塔 名驭 华泰圣达菲	外铣两轨迹8 齿 肩定	29 号	
HY15	现代御翔 起亚 K2 领翔	外铣两轨迹8 齿、 10 齿头定	33 号	
HY16 HY17	新现代悦动 福瑞迪	外铣两轨迹10 齿 头定	97 号	
MIT11R	三菱 东南 北斗星 夏利	外铣两轨迹8 齿 肩定 (10 齿)	7 号	
MAZ24	马自达 3, 5, 6 海马 东南福美来,	外铣两轨迹10 齿 肩定	27 号	
MIT8	三菱大发克莱斯勒	外铣两轨迹8 齿 肩定		
NE38	澳洲本田福特 MG MINI 尼桑路虎	外铣两轨迹10 齿 肩定 (7、8、12 齿)	15 号	
NE71R	罗浮	外铣两轨迹10 齿 肩定		
NE72	标致 206 207 C2 07 款毕加索	外铣两轨迹6 齿 肩定	53 号	

Mechanical Key Cutting Machine CONDOR XC-009

NSN11	老款尼桑巴宁风度 蓝鸟公爵	外铣两轨迹8 齿 肩定	6 号	
NSN14	新款日产尼桑天籁 骐达颐达 骊威智能卡小钥匙	外铣两轨迹10 齿 头定 (11 齿)	22 号	
QR51	奇瑞 A3, A5 瑞虎东 方之子	外铣两轨迹8 齿 肩定	51 号	
SX9	雪铁龙爱丽舍, 毕加 索, 富康, 吉利自由 舰, 上海华普十字坯	外铣两轨迹5 齿 头定	83 号	
TOY38R	嘉华金杯夏利大宇	外铣两轨迹8 齿 肩定	8 号	
TOY43	丰田凯美瑞, 丰田锐 志卡罗拉 花冠, 佳 美, 吉利金刚	外铣两轨迹10 齿 头定	2 号	
TOY43R	新斯巴鲁 XV 绚丽长 城汽车 M4、嘉誉	外铣两轨迹10 齿 头定	69 号	
YM28	欧宝	外铣两轨迹10 齿 肩定		